



Joinery Construction and Pot Sizing Guide

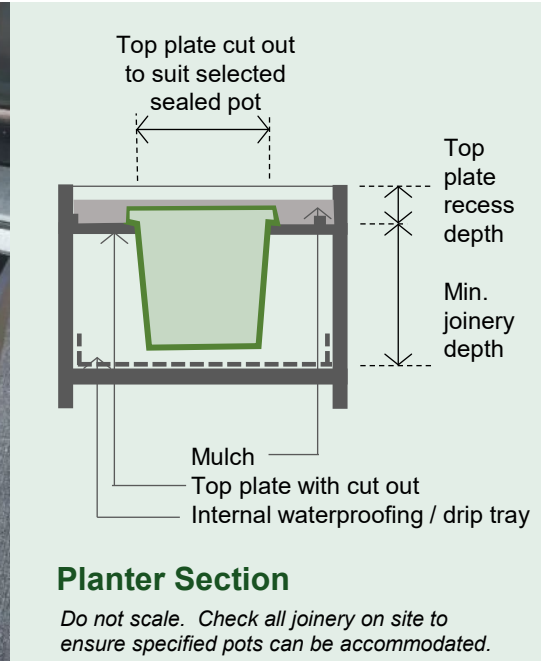
Specifications to assist with the design and construction of joinery to accommodate plants.

We would be happy to collaborate with your Design Team to provide any technical advice on the construction of joinery.



Joinery Construction Guide

This guideline is for the construction of the planter to ensure that the specified pots can be held securely and to minimize the risk of water damage.



- Internal of planter to be moisture resistant and complete with internal drip tray to protect the unit and surrounding areas from any possible water leakage.
- Top plates cut to specified size to be removeable and suspended within planter unit to support weight of mulch, pots/plants.
- All electrical connections within the unit are to be isolated and insulated from moisture.
- Refer to *Frenchams Pot Sizing Guide* – Note minimum pot depth and top plate cut outs to ensure specified pots can be accommodated .



- Completed planter box



- Placement of pot plants



- Addition of mulch to complete the installation

Pot Sizing Guide

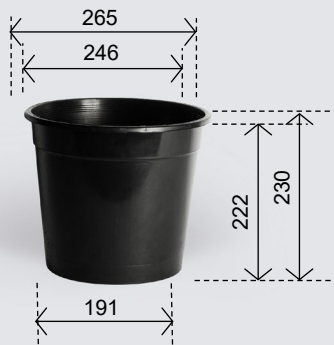
Reference to this guideline is recommended for construction of joinery and top plate cutouts to accommodate standard pot sizes.



200mm Sealed Pot (mm)

Diameter (External lip)	205
Diameter (Inside lip)	192
Diameter (Base)	160
Max Height	190
Height to bottom lip	182
Estimated potted weight	4 kg

Top Plate Cut out Diam	197
Top Plate Recess Depth	30
Minimum joinery Depth	227



250 mm Sealed Pot (mm)

Diameter (External lip)	265
Diameter (Inside lip)	246
Diameter (Base)	191
Max Height	230
Height to bottom lip	222
Volume	8 litre
Estimated potted weight	9 kg

Top Plate Cut out Diam	245
Top Plate Recess Depth	30
Minimum joinery Depth	252



300 mm Sealed Pot (mm)

Diameter (External lip)	310
Diameter (Inside lip)	280
Diameter (Base)	250
Max Height	285
Height to bottom lip	270
Volume	13.5 litre
Estimated potted weight	9 kg

Top Plate Cut out Diam	290
Top Plate Recess Depth	40
Minimum Joinery Depth	310

Do not scale.

Check all joinery on site to ensure specified pots can be accommodated.

Pot Sizing Guide



330 mm Sealed Pot (mm)

Diameter (External lip)	350
Diameter (Inside lip)	315
Diameter (Base)	275
Max Height	270
Height to bottom lip	250
Volume	18 litre
Estimated potted weight	15 kg

Top Plate Cut out Diam	330
Top Plate Recess Depth	50
Minimum joinery Depth	300



400mm Sealed Pot (mm)

Diameter (External lip)	420
Diameter (Inside lip)	375
Diameter (Base)	300
Max Height	320
Height to bottom lip	290
Volume	28 litre
Estimated potted weight	20 kg

Top Plate Cut out Diam	385
Top Plate Recess Depth	70
Minimum joinery Depth	360



500mm Sealed Pot (mm)

Diameter (External lip)	492
Diameter (Inside lip)	450
Diameter (Base)	370
Max Height	390
Height to bottom lip	370
Volume	52 litre
Estimated potted weight	70 kg

Top Plate Cut out Diam	465
Top Plate Recess Depth	70
Minimum Joinery Depth	440

Note: Allow for 4 x pot handles @ 35d x 100l/each.

Do not scale.

Check all joinery on site to ensure specified pots can be accommodated.